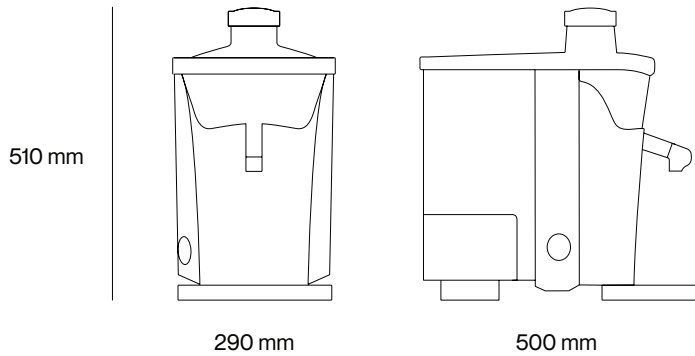


Multifruit

Pure power, unlimited creativity.



Multifruit



Specifications

Fruit type	Fruits and vegetables
Diameter of fruit	Up to 75 mm
Rate (rpm)	3.500 4.500 rpm
Type of consumption	High
Waste capacity	13 l
Voltage	220-240 V 50-60 Hz 115 V 60 Hz
Power output	870 W 1.17 HP

Packaging

Packaged machine dimensions	400 x 550 x 530 mm 15.7" x 21.6" x 20.8"
Weight	16 kg 35 lb

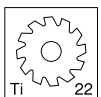
Technical Information

Consumption	1.8 A
Protection against moisture	IPX1
Safety	Double microswitch on handle and juice container. Safety detection and thermal protection system
Sound pressure level	Below 70 dB
Filling height	210 mm

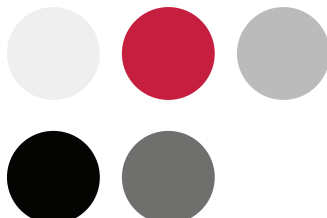
Measurements

Measurements Width Depth Height	290 x 500 x 510 mm 11.4" x 19.7" x 20.1"
Net weight	15 kg 33 lb
Footprint	0.14 m ²

Features:



Colours:



Models:



Table-top

Acc. and more info:



En

07335
Feb.2023